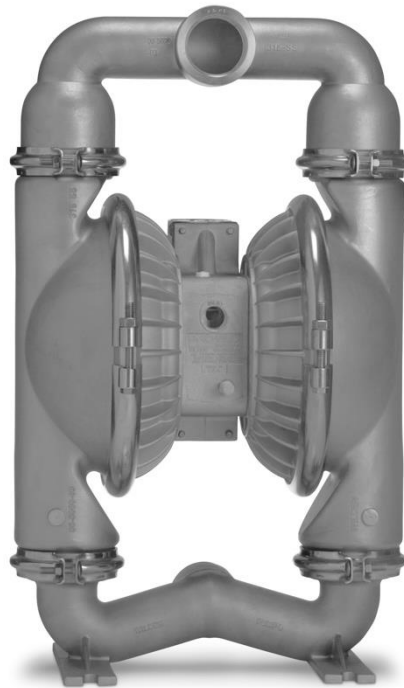


# EOM

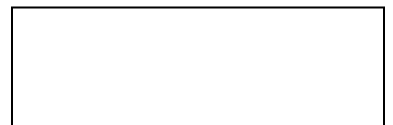
ENGINEERING OPERATION  
& MAINTENANCE

# PS8

# Clamped Metal Pump



Where Innovation Flows



WIL-10410-E-09

## Contents

<b>Section 1: Precautions - Read First!</b> .....	<b>4</b>
<b>Section 2: Wilden Pump Designation System</b> .....	<b>5</b>
<b>Section 3: How It Works</b> .....	<b>6</b>
<b>Section 4: Dimensional Drawings</b> .....	<b>7</b>
<b>Section 5: Performance</b> .....	<b>8</b>
PS8 Rubber-Fitted.....	8
PS8 EZ-Install TPE-Fitted.....	8
PS8 Full-Stroke PTFE-Fitted.....	9
Suction-Lift Curves.....	10
<b>Section 6: Suggested Installation, Operation, Maintenance and Troubleshooting</b> .....	<b>11</b>
<b>Section 7: Disassembly / Reassembly</b> .....	<b>14</b>
Pump Disassembly.....	14
Air Valve / Center Section Disassembly.....	17
Single-Point Exhaust.....	20
Reassembly Hints & Tips.....	20
<b>Section 8: Exploded View and Parts List</b> .....	<b>22</b>
PS8 Metal.....	22
PS8 Metal Saniflo™ 1935/2004/EC.....	24
<b>Section 9: Elastomer Options</b> .....	<b>26</b>

## Copyright

Copyright 2018 PSG®, a Dover Company. All rights reserved.

PSG reserves the right to modify the information and illustrations in this document without prior notice. The product described in this document is furnished under a license agreement or nondisclosure agreement. No part of this document may be reproduced, stored in a retrieval system, or transmitted in any form or any means electronic or mechanical, including photocopying and recording, without the written permission of PSG, a Dover Company, except as described by the terms of those agreements.

This is a non-contractual document. 01-2019.

## Trademarks

PSG and the PSG logo are registered trademarks of PSG. Wilden® is a registered trademark of PSG California LLC. Pro-Flo® SHIFT and Pro-Flo® are registered trademarks of PSG California LLC. Wil-Flex® is a trademark of PSG California LLC. Saniflex™ is a trademark of PSG California LLC.

All trademarks, names, logos and service marks (collectively "trademarks") in this document are registered and unregistered trademarks of their respective owners. Nothing contained in this document should be construed as granting any license or right to use any trademark without the prior written permission of the trademark owner.

## Warranty

Each and every product manufactured by Wilden is built to meet the highest standards of quality. Every pump is functionally tested to insure integrity of operation. Wilden warrants that pumps, accessories and parts manufactured or supplied by it to be free from defects in material and workmanship for a period of five (5) years from date of installation or six (6) years from date of manufacture, whichever comes first.

For more information, and to register your Wilden pump for warranty, please visit <https://www.psgdover.com/wilden/support/warranty-registration>.

## Certifications



## Section 1

# Precautions - Read First!



**WARNING:** Always wear safety glasses when operating a pump to avoid eye injury. If diaphragm rupture occurs, material being pumped may be forced out of the air exhaust.



**CAUTION:** Do not apply compressed air to the exhaust port – pump will not function.



**CAUTION:** Do not over-lubricate air supply– excess lubrication will reduce pump performance. Pump is pre-lubed.



### TEMPERATURE LIMITS:

Acetal	-29°C to 82°C	-20°F to 180°F
Buna-N	-12°C to 82°C	10°F to 180°F
Geolast	-40°C to 82°C	-40°F to 180°F
Neoprene	-18°C to 93°C	0°F to 200°F
Nordel EPDM	-51°C to 138°C	-60°F to 280°F
Nylon	-18°C to 93°C	0°F to 200°F
PFA	-7°C to 107°C	45°F to 225°F
Polypropylene	0°C to 79°C	32°F to 175°F
Polyurethane	-12°C to 66°C	10°F to 150°F
PVDF	-12°C to 107°C	10°F to 225°F
Saniflex	-29°C to 104°C	-20°F to 220°F
SIPD PTFE with EPDM-backed	4°C to 137°C	40°F to 280°F
SIPD PTFE with Neoprene-backed	4°C to 93°C	40°F to 200°F
PTFE*	4°C to 104°C	40°F to 220°F
FKM	-40°C to 177°C	-40°F to 350°F
Wil-Flex	-40°C to 107°C	-40°F to 225°F

\*4°C to 149°C (40°F to 300°F) - 13 mm (1/2") and 25 mm (1") models only.

**NOTE:** Not all materials are available for all models. See "Wilden Pump Designation System" on page 5 for material options for your pump.



**CAUTION:** When choosing pump materials, be sure to check the temperature limits for all wetted components. Example: FKM has a maximum limit of 177°C (350°F), but polypropylene has a maximum limit of only 79°C (175°F).



**CAUTION:** Maximum temperature limits are based on mechanical stress only. Certain chemicals will reduce maximum safe operating temperatures significantly. Consult the Chemical Resistance Guide for chemical compatibility and temperature limits.



**CAUTION:** All Wilden pumps are capable of passing solids. Use a strainer on the pump intake to ensure that the pump's rated solids capacity is not exceeded.



**CAUTION:** Do not exceed 8.6 bar (125 psig) air supply pressure.



**CAUTION:** The process fluid and cleaning fluids must be compatible chemically with all wetted pump components.



**CAUTION:** Do not exceed 82°C (180°F) air inlet temperature for all models.



**CAUTION:** Thoroughly flush pumps before installing them into process lines. Clean and/or sanitize FDA- and USDA-approved pumps before using them.



**CAUTION:** Before attempting any maintenance or repair, disconnect the compressed air line to the pump and allow all air pressure to bleed from the pump. Disconnect all intake, discharge, and air lines. Drain the pump by turning it upside down and allowing any fluid to flow into a suitable container. Be aware of any hazardous effects of contact with your process fluid.



**CAUTION:** Before attaching the air line to the pump, blow out the air line for 10 to 20 seconds to make sure all pipeline debris is clear. Use an in-line air filter. A 5µ (micron) air filter is recommended.



**CAUTION:** Pro-Flo pumps cannot be used in submersible applications. Pro-Flo SHIFT is available in both single-point exhaust (submersible) and standard (non-submersible) options. Do not use standard Pro-Flo SHIFT models in submersible applications.



**CAUTION:** Before installation, tighten all hardware.



**NOTE:** Materials of construction and elastomer material have an effect on suction lift parameters. Please refer to "Performance" on page 8 for specifics.



**NOTE:** When installing PTFE diaphragms, it is important to tighten outer pistons simultaneously (turning in opposite directions) to ensure tight fit. (See "Maximum Torque Specifications" on page 20.)



**NOTE:** Some PTFE-fitted pumps come standard from the factory with expanded PTFE gaskets installed in the diaphragm bead of the liquid chamber. PTFE gaskets cannot be re-used.



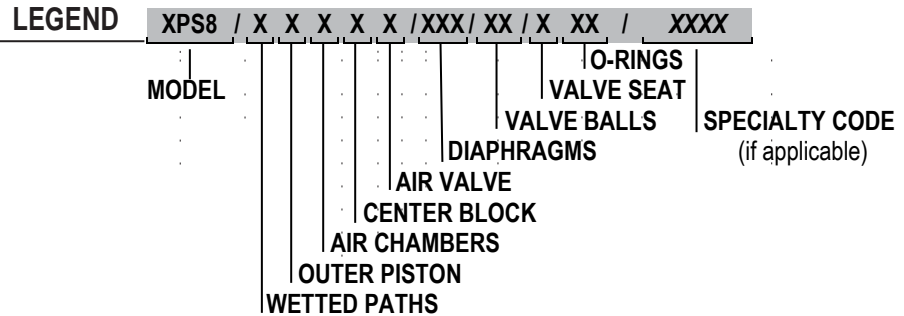
**NOTE:** In the event of a power failure, close the shut-off valve if you do not want the pump to restart when the power returns.

**Section 2**

**WILDEN PUMP DESIGNATION SYSTEM**

**PS8 METAL**

**51 mm (2") Pump  
Maximum Flow Rate:  
723 lpm (191 gpm)**



**MATERIAL CODES**

**MODEL**

PS8 = PRO-FLO® SHIFT  
XPS8 = PRO-FLO® SHIFT ATEX

**WETTED PATH**

A = ALUMINUM  
S = STAINLESS STEEL  
W = DUCTILE IRON

**OUTER PISTON**

A = ALUMINUM  
S = STAINLESS STEEL  
W = DUCTILE IRON  
Z = NO OUTER PISTON

**AIR CHAMBERS**

A = ALUMINUM  
N = NICKEL-PLATED  
S = STAINLESS STEEL

**CENTER BLOCK**

A = ALUMINUM  
N = NICKEL-PLATED  
P = POLYPROPYLENE  
S = STAINLESS STEEL

**AIR VALVE**

A = ALUMINUM  
N = NICKEL-PLATED  
R = ANODIZED ALUMINUM  
P = POLYPROPYLENE  
S = STAINLESS STEEL

**DIAPHRAGMS**

BNS = BUNA-N (Red Dot)  
EPS = EPDM (Blue Dot)  
FBS = SANITARY BUNA<sup>1,3</sup>  
(Two Yellow Dots)  
FES = SANITARY EPDM<sup>1,3</sup>  
(Two Blue Dots)  
FSL = FULL-STROKE SANITARY  
SANIFLEX™ IPD<sup>1,3</sup> [Hytrel®  
(Cream)]  
FWL = FULL-STROKE SANITARY  
WIL-FLEX™ IPD<sup>1</sup> [Santoprene®  
(Two Orange Dots)]  
FWS = SANITARY WIL-FLEX™,  
EZ-INSTALL<sup>1</sup> [Santoprene®  
(Two Orange Dots)]  
NES = NEOPRENE (Green Dot)  
TSS = FULL-STROKE PTFE<sup>1,2,3</sup>  
W/SANIFLEX™ BACKUP  
TWS = FULL-STROKE PTFE<sup>1,2</sup>  
W/WIL-FLEX™ BACKUP  
VTS = FKM (White Dot)  
WWL = FULL-STROKE WIL-FLEX™  
IPD [Santoprene® (Orange Dot)]  
XBS = CONDUCTIVE BUNA-N  
(Two Red Dots)  
ZGS = GEOLAST®, EZ-INSTALL  
ZPS = POLYURETHANE, EZ-INSTALL  
ZSS = SANIFLEX™, EZ-INSTALL<sup>1,3</sup>  
ZWS = WIL-FLEX™, EZ-INSTALL

**VALVE BALLS**

BN = BUNA-N (Red Dot)  
EP = EPDM (Blue Dot)  
FB = SANITARY BUNA<sup>1,3</sup>  
(Two Yellow Dots)  
FE = SANITARY EPDM<sup>1,3</sup>  
(Two Blue Dots)  
FS = SANIFLEX™ [Hytrel® (Cream)]<sup>1,3</sup>  
FW = SANITARY WIL-FLEX™<sup>1</sup>  
[Santoprene® (Two Orange Dots)]  
NE = NEOPRENE (Green Dot)  
PU = POLYURETHANE (Brown)  
TF = PTFE (White)<sup>1,2,3</sup>  
VT = FKM (Silver or White Dot)  
WF = WIL-FLEX™ [Santoprene®  
(Orange Dot)]

**VALVE SEATS**

A = ALUMINUM  
BN = BUNA-N (Red Dot)  
EP = EPDM (Blue Dot)  
FS = SANIFLEX™ [Hytrel® (Cream)]<sup>1,3</sup>  
FW = SANITARY WIL-FLEX™<sup>1</sup>  
[Santoprene® (Two Orange Dots)]  
M = MILD STEEL  
NE = NEOPRENE (Green Dot)  
PU = POLYURETHANE (Brown)  
S = STAINLESS STEEL  
VT = FKM (White Dot)  
WF = WIL-FLEX™ [Santoprene® (Orange Dot)]

**VALVE SEAT O-RINGS**

TF = PTFE<sup>1,2,3</sup>

**NOTES:**

- <sup>1</sup> Meets Requirements of FDA CFR21.177
- <sup>2</sup> Meets Requirements of USP Class VI
- <sup>3</sup> Meets Requirements of 1935/2004/EC

**SPECIALTY CODES**

0014 BSP	0079 Tri-clamp fittings, wing nuts	0320 Single-point exhaust center block
0023 Wing nuts	0080 Tri-clamp fittings ONLY	0324 Single-point exhaust center block, screen base
0030 Screen based	0100 Wil-Gard 110V	0327 Single-point exhaust center block, Stallion externals, balls & seats
0036 Screen based, BSP	0102 Wil-Gard, sensor wires ONLY	0330 Wing nuts, BSP
0039 Screen based, polyurethane screen	0103 Wil-Gard 220V	0480 Pump Cycle Monitor (Sensor & Wires)
0044 Stallion, balls & seats ONLY	0108 Wil-Gard 220V, BSP	0070E Saniflo™ FDA (1935/2004/EC)
0047 Stallion externals, balls and seats	0118 Stallion balls and seats ONLY, BSP	0075E Saniflo™ FDA Stallion balls & seats (1935/2004/EC)
0070 Saniflo™ FDA	0120 Saniflo™ FDA, Wil-Gard 110V	0120E Saniflo™ FDA, Wil-Gard 110V (1935/2004/EC)
0075 Saniflo™ FDA, Stallion balls and seats ONLY	0319 Single-point exhaust, BSPT	

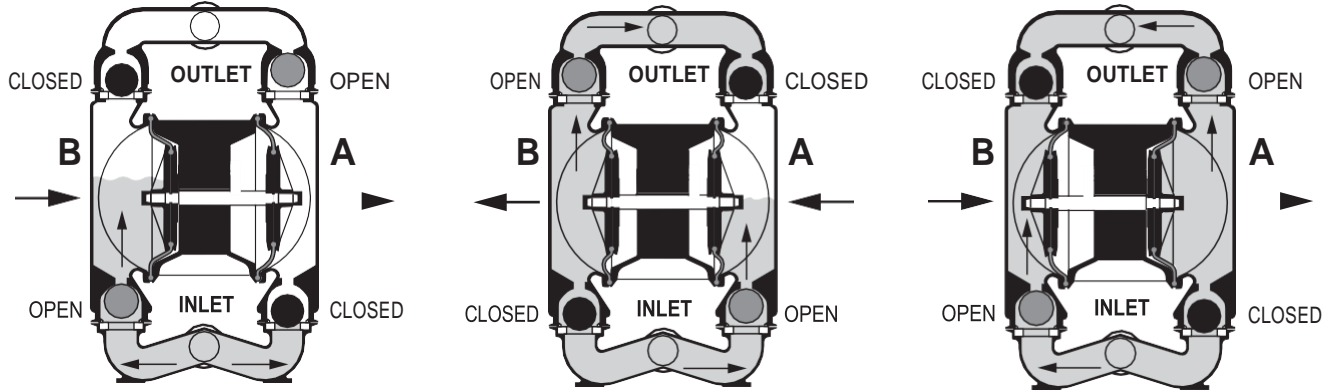
**NOTE:** Most elastomeric materials use colored dots for identification.

**NOTE:** Not all models are available with all material options.  
Hytrel® is a registered trademark of DuPont Dow Elastomers.

**Section 3**

**HOW IT WORKS — PUMP**

The Wilden diaphragm pump is an air-operated, positive displacement, self-priming pump. These drawings show flow pattern through the pump upon its initial stroke. It is assumed the pump has no fluid in it prior to its initial stroke.

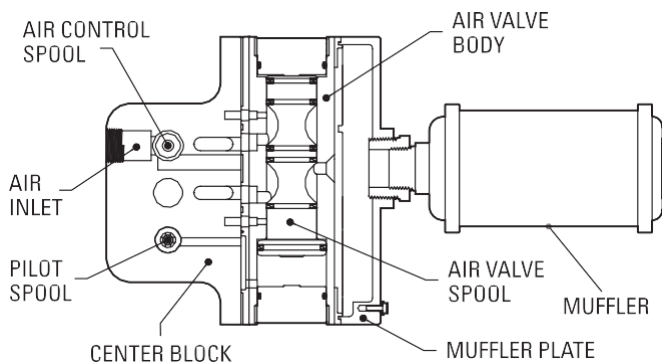


**FIGURE 1** The air valve directs pressurized air to the back side of diaphragm A. The compressed air is applied directly to the liquid column separated by elastomeric diaphragms. The diaphragm acts as a separation membrane between the compressed air and liquid; a balanced load removes mechanical stress from the diaphragm. The compressed air moves the diaphragm away from the center of the pump. The opposite diaphragm is pulled in by the shaft connected to the pressurized diaphragm. Diaphragm B is on its suction stroke; air behind the diaphragm has been forced out to atmosphere through the exhaust port of the pump. The movement of diaphragm B toward the center of the pump creates a vacuum within chamber B. Atmospheric pressure forces fluid into the inlet manifold forcing the inlet valve ball off its seat. Liquid is free to move past the inlet valve ball and fill the liquid chamber (see shaded area).

**FIGURE 2** When the pressurized diaphragm, diaphragm A, reaches the limit of its discharge stroke, the air valve redirects pressurized air to the back side of diaphragm B. The pressurized air forces diaphragm B away from the center while pulling diaphragm A to the center. Diaphragm B is now on its discharge stroke. Diaphragm B forces the inlet valve ball onto its seat due to the hydraulic forces developed in the liquid chamber and manifold of the pump. These same hydraulic forces lift the discharge valve ball off its seat, while the opposite discharge valve ball is forced onto its seat, forcing fluid to flow through the pump discharge. The movement of diaphragm A toward the center of the pump creates a vacuum within liquid chamber A. Atmospheric pressure forces fluid into the inlet manifold of the pump. The inlet valve ball is forced off its seat allowing the fluid being pumped to fill the liquid chamber.

**FIGURE 3** At completion of the stroke, the air valve again redirects air to the back side of diaphragm A, which starts diaphragm B on its exhaust stroke. As the pump reaches its original starting point, each diaphragm has gone through one exhaust and one discharge stroke. This constitutes one complete pumping cycle. The pump may take several cycles to completely prime depending on the conditions of the application.

**HOW IT WORKS— AIR DISTRIBUTION SYSTEM**



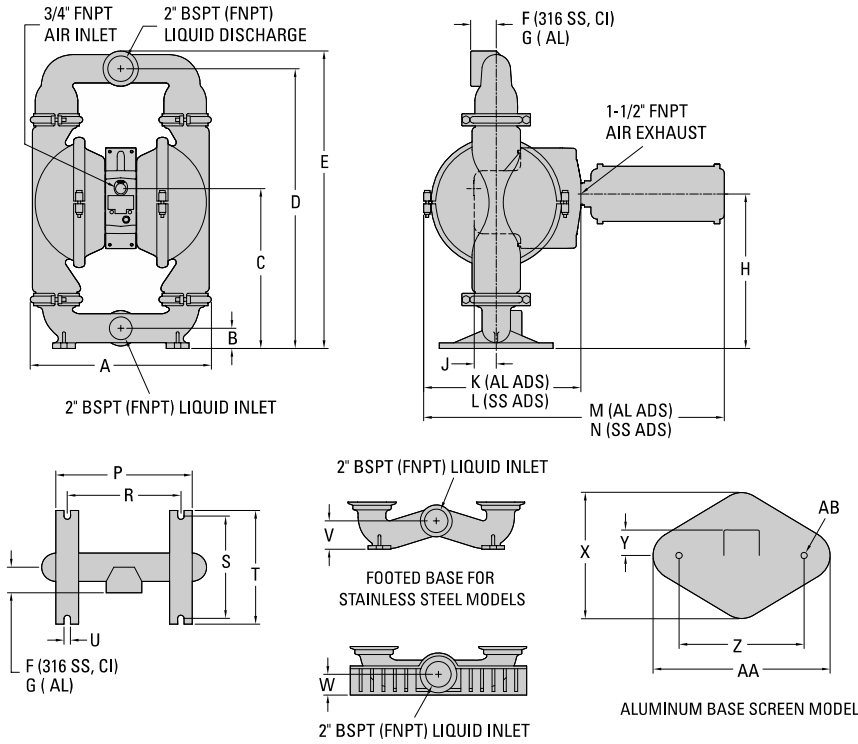
The heart of the patented Pro-Flo® SHIFT Air Distribution System (ADS) is the air valve assembly. The air valve design incorporates an unbalanced spool with the small end of the spool being pressurized continuously while the large end of the spool is alternately pressurized, then exhausted to move the spool. The air valve spool directs pressurized air to one chamber while exhausting the other. The air forces the main shaft/diaphragm assembly to move to one side – discharging liquid on that side and pulling liquid in on the other side. When the shaft reaches the end of the stroke, the inner piston actuates the pilot spool, which controls the air to the large end of the air valve spool. The repositioning of the air valve spool routes the air to the other air chamber. The air control spool allows air to flow freely into the air chamber for the majority of each pump stroke, but it significantly restricts the flow of air into the air chamber when activated by the inner piston near the end of the each stroke.

**Section 4**

**DIMENSIONAL DRAWING**

**PS8 Metal**

**DIMENSIONS**

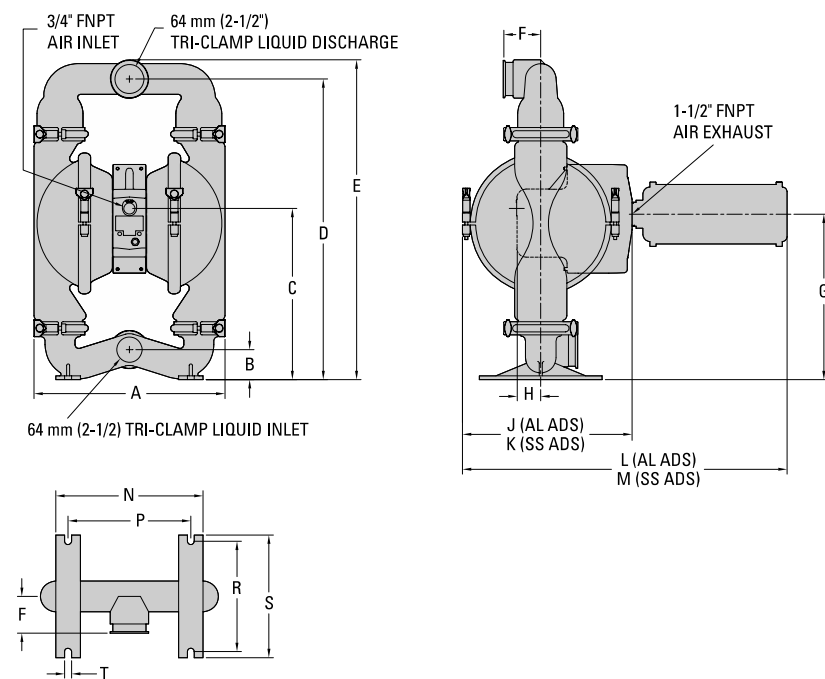


ITEM	METRIC (mm)	STANDARD (inch)
A	404	15.9
B	45	1.8
C	358	14.1
D	630	24.8
E	668	26.3
F	58	2.3
G	64	2.5
H	346	13.6
J	48	1.9
K	351	13.8
L	344	13.6
M	672	26.4
N	667	26.3
P	315	12.4
R	257	10.1
S	231	9.1
T	257	10.1
U	15	0.6
V	64	2.5
W	51	2.0
X	284	11.2
Y	58	2.3
Z	279	11.0
AA	396	15.6
AB	15 DIA.	0.6 DIA.

LW0234 REV. C

**PS8 Metal Saniflo™**

**DIMENSIONS**



ITEM	METRIC (mm)	STANDARD (inch)
A	409	16.1
B	64	2.5
C	355	14.0
D	625	24.6
E	665	26.2
F	76	3.0
G	343	13.5
H	48	1.9
J	351	13.8
K	344	13.6
L	672	26.4
M	667	26.3
N	305	12.0
P	254	10.0
R	229	9.0
S	254	10.0
T	15 DIA.	0.6 DIA.

LW0235 REV. B



**Section 5**

**PERFORMANCE**

**PS8 METAL RUBBER-FITTED**

Ship Weight ..... Aluminum 35 kg (78 lb)  
 316 Stainless Steel 53 kg (117 lb)  
 Cast Iron 49 kg (109 lb)

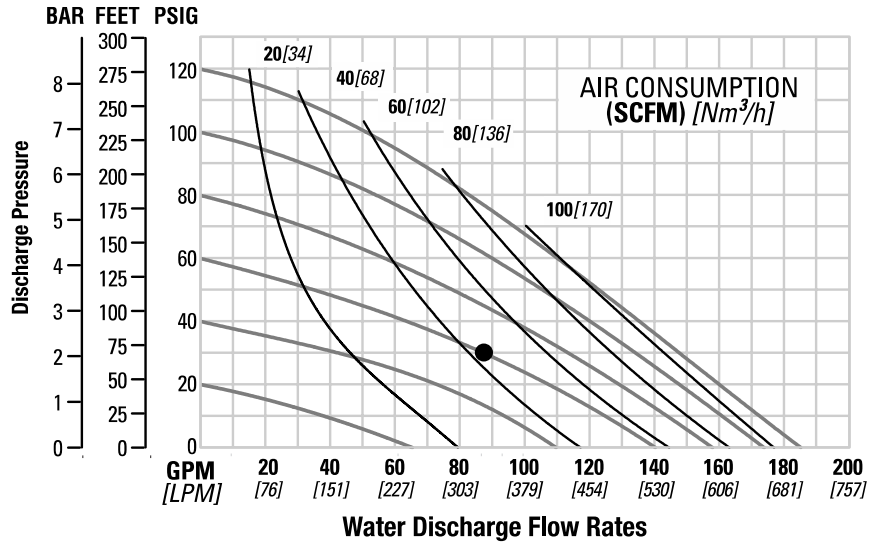
Air Inlet..... 3/4"  
 Inlet..... 2"  
 Outlet ..... 2"  
 Suction Lift ..... 7.2 m Dry (23.8')  
 9.0 m Wet (29.5')

Disp. Per Stroke<sup>1</sup> ..... 2.6 L (0.69 gal)  
 Max. Flow Rate..... 700 lpm (185 gpm)  
 Max. Size Solids..... 6.4 mm (1/4")

<sup>1</sup>Displacement per stroke was calculated at 4.8 bar (70 psig) air inlet pressure against a 2.1 bar (30 psig) head pressure.

**Example:** To pump 329 lpm (87 gpm) against a discharge head of 2.1 bar (30 psig) requires 4.1 bar (60 psig) and 75 Nm<sup>3</sup>/h (44 scfm) air consumption.

**Caution:** Do not exceed 8.6 bar (125 psig) air supply pressure.



Flow rates indicated on chart were determined by pumping water.

For optimum life and performance, pumps should be specified so that daily operation parameters will fall in the center of the pump's performance curve.

**PS8 METAL EZ-INSTALL TPE-FITTED**

Ship Weight ..... Aluminum 35 kg (78 lb)  
 316 Stainless Steel 53 kg (117 lb)  
 Cast Iron 49 kg (109 lb)

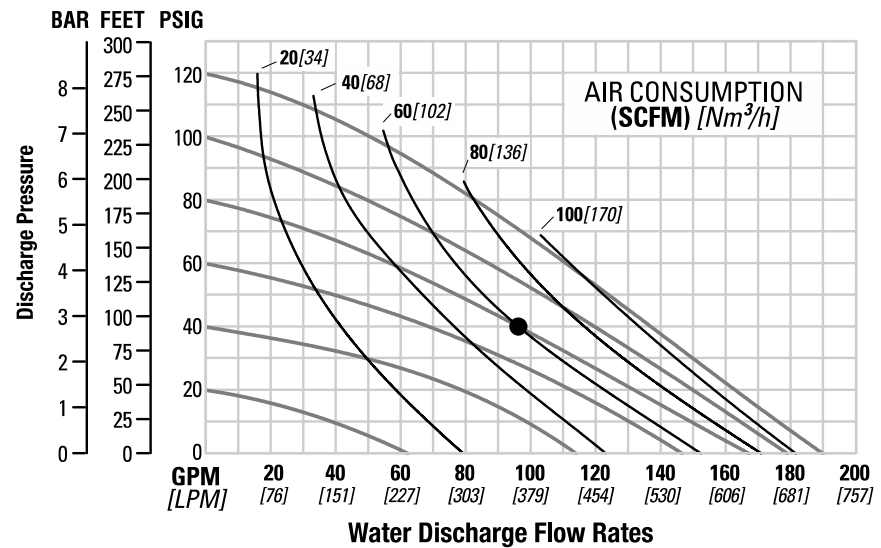
Air Inlet..... 3/4"  
 Inlet..... 2"  
 Outlet ..... 2"  
 Suction Lift ..... 6.9 m Dry (22.7')  
 9.0 m Wet (29.5')

Disp. Per Stroke<sup>1</sup> ..... 2.6 L (0.69 gal)  
 Max. Flow Rate..... 719 lpm (190 gpm)  
 Max. Size Solids..... 6.4 mm (1/4")

<sup>1</sup>Displacement per stroke was calculated at 4.8 bar (70 psig) air inlet pressure against a 2.1 bar (30 psig) head pressure.

**Example:** To pump 363 lpm (96 gpm) against a discharge head of 2.8 bar (40 psig) requires 5.5 bar (80 psig) and 102 Nm<sup>3</sup>/h (60 scfm) air consumption.

**Caution:** Do not exceed 8.6 bar (125 psig) air supply pressure.



Flow rates indicated on chart were determined by pumping water.

For optimum life and performance, pumps should be specified so that daily operation parameters will fall in the center of the pump's performance curve.



**PERFORMANCE**

**PS8 METAL  
FULL-STROKE  
PTFE-FITTED**

Ship Weight..... Aluminum 35 kg (78 lb)  
316 Stainless Steel 53 kg (117 lb)  
Cast Iron 49 kg (109 lb)

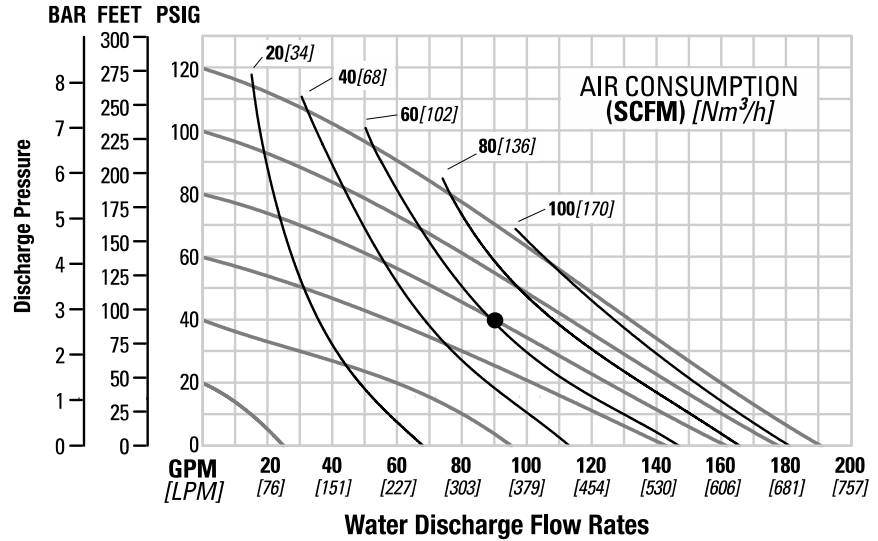
Air Inlet..... 3/4"  
Inlet..... 2"  
Outlet ..... 2"  
Suction Lift .....6.3 m Dry (20.7')  
8.6 m Wet (28.4')

Disp. Per Stroke<sup>1</sup> ..... 2.4 L (0.64 gal)  
Max. Flow Rate..... 723 lpm (191 gpm)  
Max. Size Solids..... 6.4 mm (1/4")

<sup>1</sup>Displacement per stroke was calculated at 4.8 bar (70 psig) air inlet pressure against a 2.1 bar (30 psig) head pressure.

**Example:** To pump 341 lpm (90 gpm) against a discharge head of 2.8 bar (40 psig) requires 5.5 bar (80 psig) and 104 Nm<sup>3</sup>/h (61 scfm) air consumption

**Caution: Do not exceed 8.6 bar (125 psig) air supply pressure.**



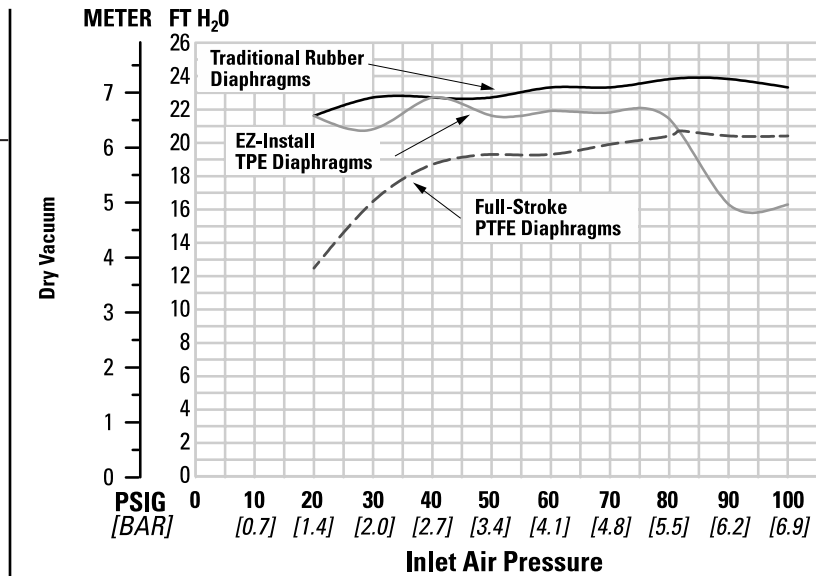
Flow rates indicated on chart were determined by pumping water.

For optimum life and performance, pumps should be specified so that daily operation parameters will fall in the center of the pump's performance curve.

## SUCTION LIFT CURVES

### PS8 METAL SUCTION - LIFT CAPABILITY

Suction-lift curves are calibrated for pumps operating at 305 m (1,000') above sea level. This chart is meant to be a guide only. There are many variables that can affect your pump's operating characteristics. The number of intake and discharge elbows, viscosity of pumping fluid, elevation (atmospheric pressure) and pipe friction loss all affect the amount of suction lift your pump will attain.



## Section 6

# Suggested Installation, Operation, Maintenance and Troubleshooting

Wilden pumps are designed to meet the performance requirements of even the most demanding pumping applications. They have been designed and manufactured to the highest standards and are available in a variety of liquid path materials to meet your chemical resistance needs. Refer to "Performance " on page 8 for an in-depth analysis of the performance characteristics of your pump. Wilden offers the widest variety of elastomer options in the industry to satisfy temperature, chemical compatibility, abrasion resistance and flex concerns.

The suction pipe size should be at least equal to or larger than the diameter size of the suction inlet on your Wilden pump. The suction hose must be a non-collapsible, reinforced type because these pumps are capable of pulling a high vacuum. Discharge piping should also be equal to or larger than the diameter of the pump discharge, which will help reduce friction losses.



**CAUTION:** All fittings and connections must be airtight. Otherwise, pump suction capability will be reduced or lost.

Months of careful planning, study and selection efforts can result in unsatisfactory pump performance if installation details are left to chance. You can avoid premature failure and long-term dissatisfaction by exercising reasonable care throughout the installation process.

### Location

Noise, safety and other logistical factors usually dictate where equipment will be situated on the production floor. Multiple installations with conflicting requirements can result in congestion of utility areas, leaving few choices for additional pumps.

Within the framework of these and other existing conditions, locate every pump in such a way that the following six key factors are balanced against each other to maximum advantage:

- **Access:** First, the location should be accessible. If it's easy to reach the pump, maintenance personnel will be able to perform routine inspections and adjustments more easily. If major repairs become necessary, ease of access can play a key role in speeding the repair process and reducing total downtime.
- **Air Supply:** Every pump location should have an air line large enough to supply the volume of air necessary to achieve the desired pumping rate. For best results, the pumps should use a 5µ (micron) air filter, needle valve and regulator. The use of an air filter before the pump will ensure that the majority of any pipeline contaminants will be eliminated.
- **Solenoid Operation:** When operation is controlled by a solenoid valve in the air line, three-way valves should be used. This valve allows trapped air between the valve and the pump to bleed off, which improves pump performance. You can estimate pumping volume by counting the number of strokes per minute, and then multiplying that figure by the displacement per stroke.
- **Muffler:** Using the standard Wilden muffler, sound levels are reduced below OSHA specifications. You can use other mufflers to reduce sound levels farther, but they usually reduce pump performance.

- **Elevation:** Selecting a site that is well within the pump's dynamic lift capability will assure that loss-of-prime issues will be eliminated. In addition, pump efficiency can be adversely affected if proper attention is not given to site location.

- **Piping:** Final determination of the pump site should not be made until the piping challenges of each possible location have been evaluated. The impact of current and future installations should be considered ahead of time to make sure that inadvertent restrictions are not created for any remaining sites.

The best choice possible will be a site involving the shortest and straightest hook-up of suction and discharge piping. Unnecessary elbows, bends and fittings should be avoided. Pipe sizes should be selected to keep friction losses within practical limits. All piping should be supported independently of the pump. In addition, the piping should be aligned to avoid placing stress on the pump fittings.

Flexible hose can be installed to aid in absorbing the forces created by the natural reciprocating action of the pump. If the pump is to be bolted down to a solid location, a mounting pad placed between the pump and the foundation will assist in minimizing pump vibration. Flexible connections between the pump and rigid piping will also assist in minimizing pump vibration. If quick-closing valves are installed at any point in the discharge system, or if pulsation within a system becomes a problem, a surge suppressor (SD Equalizer) should be installed to protect the pump, piping and gauges from surges and water hammer.

If the pump is to be used in a self-priming application, make sure that all connections are airtight and that the suction lift is within the model's ability.



**NOTE:** Materials of construction and elastomer material have an effect on suction lift parameters. Please refer to "Performance " on page 8 for specifics.

When pumps are installed in applications involving flooded suction or suction head pressures, a gate valve should be installed in the suction line to permit closing of the line for pump service.

Pumps in service with a positive suction head are most efficient when inlet pressure is limited to 0.5–0.7 bar (7–10 psig). Premature diaphragm failure may occur if positive suction is 0.7 bar (10 psig) and higher.

### Single-Point Exhaust

Pro-Flo SHIFT pumps can be used for submersible applications when using the Pro-Flo SHIFT's single-point exhaust.

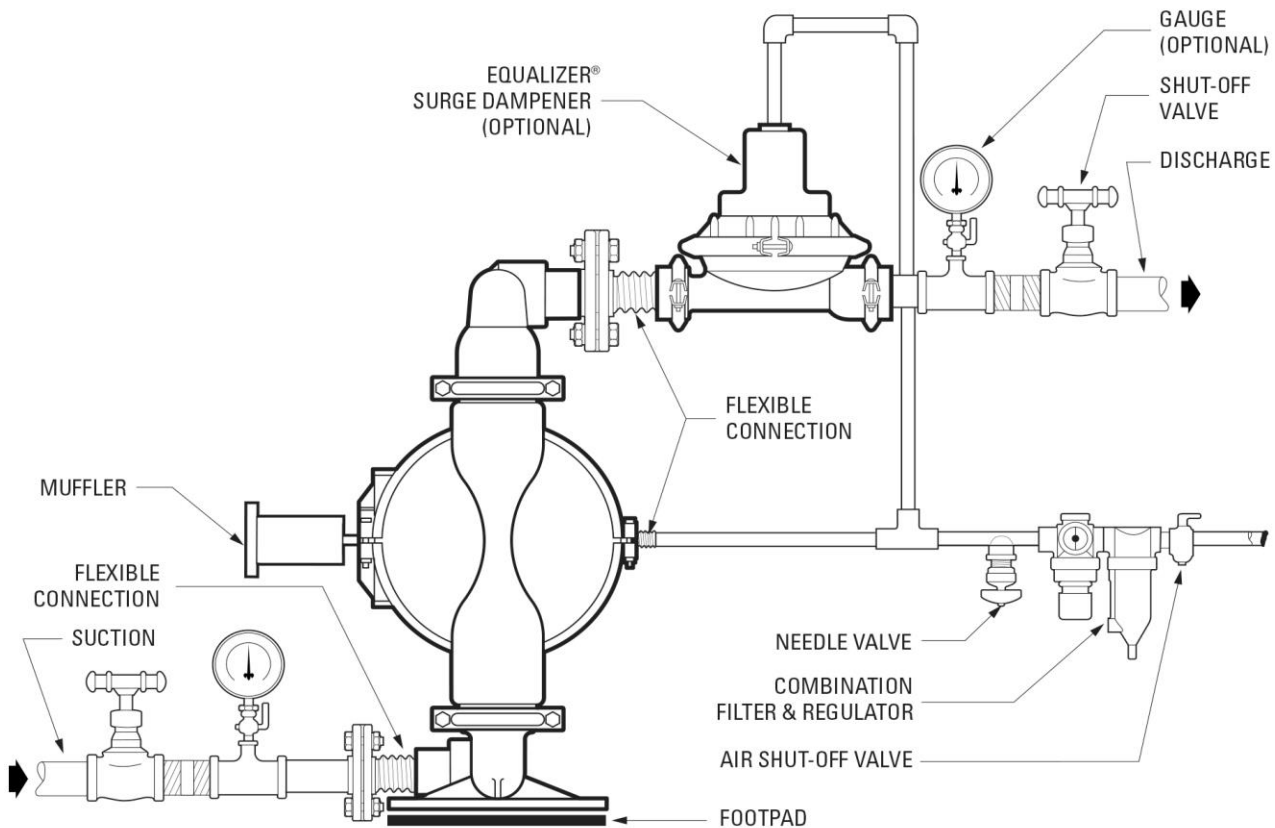


**CAUTION:** All Wilden pumps are capable of passing solids. Use a strainer on the pump intake to ensure that the pump's rated solids capacity is not exceeded.



**CAUTION:** Do not exceed 8.6 bar (125 psig) air supply pressure.

## Suggested Installation, Operation, Maintenance and Troubleshooting



**NOTE:** In the event of a power failure, close the shut-off valve if you do not want the pump to restart when the power returns.

**Air-Operated Pumps:** To stop the pump from operating in an emergency situation, simply close the shut-off valve (user-supplied) installed in the air supply line. A properly functioning valve will stop the air supply to the pump, therefore stopping output. This shut-off valve should be located far enough away from the pumping equipment such that it can be reached safely in an emergency situation.

### Operation

The Pro-Flo SHIFt pumps are pre-lubricated and do not require in-line lubrication. Additional lubrication will not damage the pump. However, if the pump is heavily lubricated by an external source, the pump's internal lubrication may be washed away. If the pump is then moved to a non-lubricated location, it may need to be disassembled and re-lubricated as described in "Disassembly/Reassembly" on page 14.

Pump discharge rate can be controlled by limiting the volume and/or pressure of the air supply to the pump. An air regulator is used to

regulate air pressure. A needle valve is used to regulate volume. Pump discharge rate also can be controlled by throttling the pump discharge by partially closing a valve in the discharge line of the pump. This action increases friction loss, which reduces flow rate. (See "Performance" on page 8.) This is useful when the need exists to control the pump from a remote location. When the pump discharge pressure equals or exceeds the air supply pressure, the pump will stop. No bypass or pressure relief valve is needed, and pump damage will not occur. The pump has reached a "deadhead" situation and can be restarted by reducing the fluid discharge pressure or increasing the air inlet pressure. Wilden Pro-Flo SHIFt pumps run solely on compressed air and do not generate heat.

Therefore, your process fluid temperature will not be affected.

### Maintenance and Inspections

Because each application is unique, maintenance schedules may be different for every pump. Frequency of use, line pressure, viscosity and abrasiveness of process fluid all affect the parts life of a Wilden pump. Periodic inspections have been found to offer the best means for preventing unscheduled pump downtime. Personnel familiar with the pump's construction and service should be informed of any abnormalities that are detected during operation.

# Suggested Installation, Operation, Maintenance and Troubleshooting

## Troubleshooting

### ***Pump will not run or runs slowly.***

1. Remove plug from pilot spool exhaust.
2. Ensure that the air inlet pressure is at least 0.4 bar (5 psig) above startup pressure and that the differential pressure (the difference between air inlet and liquid discharge pressures) is not less than 0.7 bar (10 psig).
3. Check air inlet filter for debris (see "Suggested Installation, Operation, Maintenance and Troubleshooting" on page 11).
4. Check for extreme air leakage (blow by) that would indicate worn seals/bores in the air valve, pilot spool and main shaft.
5. Disassemble the pump and check for obstructions in the air passageways or objects that would obstruct the movement of internal parts.
6. Check for sticking ball check valves.
  - a. If material being pumped is not compatible with pump elastomers, swelling may occur. Replace ball check valves and seals with proper elastomers.
  - b. Also, as the check valve balls wear out, they become smaller and can become stuck in the seats. In this case, replace balls and seats.
7. Check for any broken inner piston that would cause the air valve spool to be unable to shift.

3. Check for sticking ball check valves.

- a. If material being pumped is not compatible with pump elastomers, swelling may occur. Replace ball check valves and seals with proper elastomers.
- b. Also, as the check valve balls wear out, they become smaller and can become stuck in the seats. In this case, replace balls and seats.

### ***Pump air valve freezes.***

1. Check for excessive moisture in the compressed air.
  - a. Either install a dryer or a hot air generator for compressed air.
  - b. Alternatively, you may use coalescing filter to remove the water from the compressed air in some applications.

### ***Air bubbles in pump discharge.***

1. Check for a ruptured diaphragm.
2. Check tightness of outer pistons (see Disassembly/Reassembly on page 14).
3. Check tightness of fasteners and integrity of O-rings and seals, especially at intake manifold.
4. Ensure pipe connections are airtight.

### ***Product comes out air exhaust.***

1. Check for a diaphragm rupture.
2. Check the tightness of the outer pistons to the shaft.

### ***Pump runs, but little or no product flows.***

1. Check for pump cavitation. Slow pump speed down to allow thick material to flow into liquid chambers.
2. Verify that vacuum required to lift liquid is not greater than the vapor pressure of the material being pumped (cavitation).

## Section 7

# Disassembly / Reassembly

## Pump Disassembly

### Tools Required:

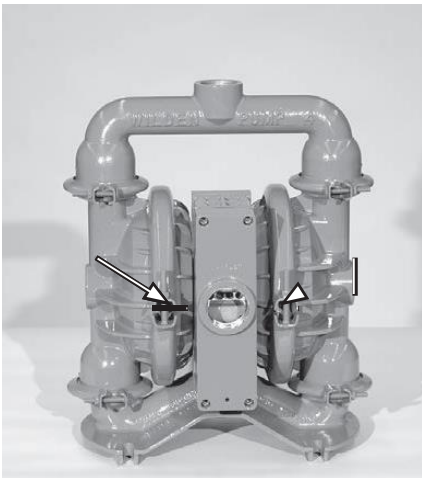
- 1" Socket Wrench
- 9/16" Combo Wrench
- 11/16" Socket Wrench
- 1/2" Socket Wrench
- Adjustable Wrench
- Vise equipped w/soft jaws (such as plywood, plastic or other suitable material)



**CAUTION:** Before any maintenance or repair is attempted, the compressed air line to the pump should be disconnected and all air pressure allowed to bleed from the pump. Disconnect all intake, discharge and air lines. Drain the pump by turning it upside down and allowing any fluid to flow into a suitable container. Be aware of any hazardous effects of contact with your process fluid.

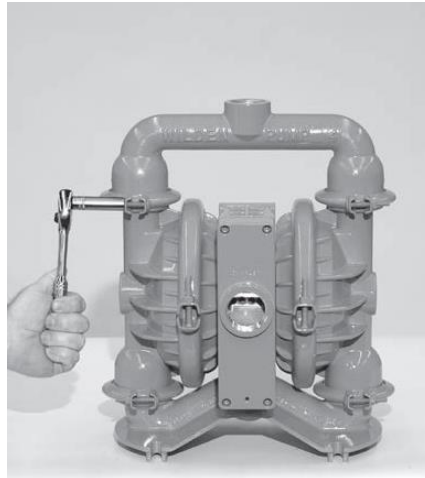


**NOTE:** Replace worn parts with genuine Wilden parts for reliable performance.



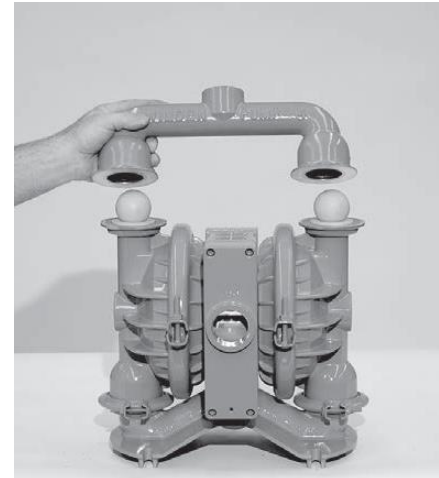
### Step 1

Before starting disassembly, mark a line from each liquid chamber to its corresponding air chamber. This line will assist in proper alignment during reassembly.



### Step 2

Using an appropriate-sized wrench, remove the two (2) small clamp bands that fasten the discharge manifold to the liquid chambers.



### Step 3

Lift the discharge manifold to expose discharge valve balls and valve seats. Inspect ball cage area of manifold for excessive wear or damage.

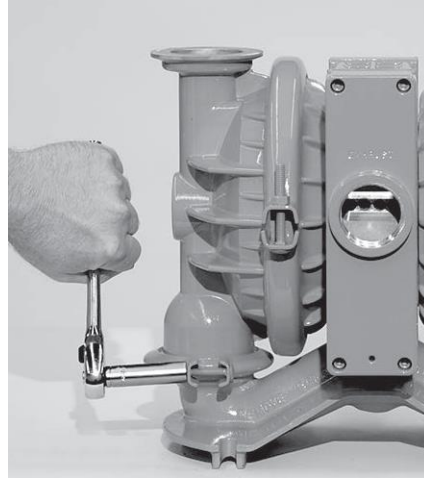


## Disassembly / Reassembly



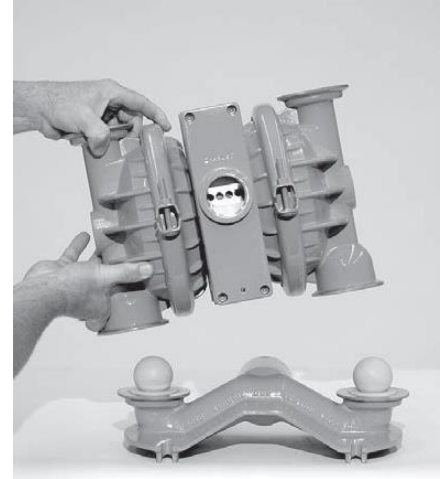
### Step 4

Remove the discharge valve balls and valve seats from the liquid chambers and inspect for nicks, chemical attack or abrasive wear. Replace worn parts with genuine Wilden parts for reliable performance.



### Step 5

Using an appropriate-sized wrench, remove the two (2) small clamp bands that fasten the inlet manifold to the liquid chambers.



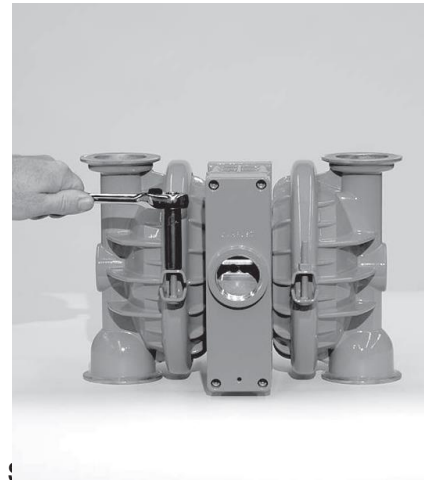
### Step 6

Lift the liquid chambers and center section assembly from the inlet manifold to expose the inlet valve balls and valve seats. Inspect ball cage area of inlet manifold for excessive wear or damage.



### Step 7

Remove the inlet valve balls and valve seats from the inlet manifold and inspect for nicks, chemical attack or abrasive wear. Replace worn parts with genuine Wilden parts for reliable performance.



### Step 8

Using an appropriate-sized wrench, remove one set of large clamp bands that secure one liquid chamber to the center section.



### Step 9

Pull liquid chamber away from the center section to expose diaphragm and outer piston. Remove other side of the liquid chamber from center section.



## Disassembly / Reassembly



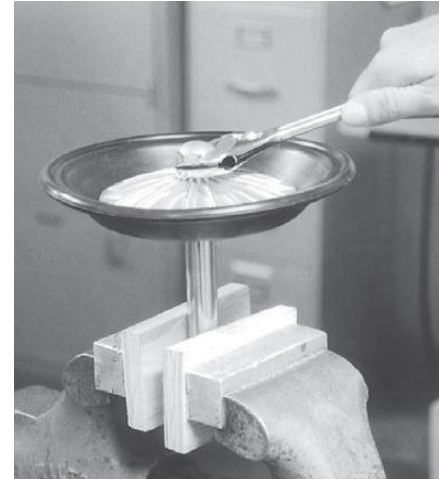
### Step 10

Using two adjustable wrenches, turn the outer diaphragm pistons in a counter-clockwise direction to remove the diaphragm assembly from center block. Inspect diaphragm assembly and shaft for signs of wear or chemical attack. Replace all worn parts with genuine Wilden parts for reliable performance.



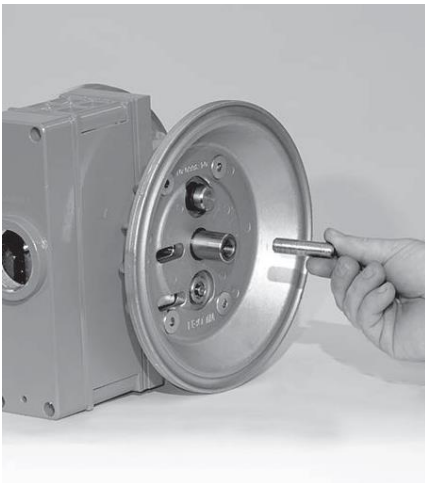
### Step 11

Inspect the diaphragm assembly for wear, damage or chemical attack. Replace any damaged components with genuine Wilden parts for reliable performance.



### Step 12

To remove diaphragm assembly from shaft, secure shaft with soft jaws (aluminum, plastic or plywood) to ensure the shaft is not damaged. Using an adjustable wrench, remove the diaphragm assembly from the shaft.



### Step 13

Remove outer piston and stud if equipped. Inspect for wear and replace if necessary.

## Disassembly / Reassembly

### Air Valve / Center Section Disassembly

**Tools Required:**

- 3/16" Hex-Head Wrench
- 1/4" Hex-Head Wrench
- Snap-Ring Pliers
- O-Ring Pick



**CAUTION:** Before attempting any maintenance or repair, disconnect the compressed air line to the pump and allow all air pressure to bleed from the pump. Disconnect all intake, discharge, and air lines. Drain the pump by turning it upside down and allowing any fluid to flow into a suitable container. Be aware of any hazardous effects of contact with your process fluid.



**NOTE:** Replace worn parts with genuine Wilden parts for reliable performance.



**Step 1**

Using a pair of snap-ring pliers, remove the snap ring from the pilot sleeve.



**Step 2**

Using an O-ring pick, remove the O-ring from modulator spool.



**Step 3**

Using the appropriate-sized wrench, loosen and remove the fasteners that attach the air chamber to the center section.



**Step 4**

Lift the air chamber away from the center section and remove the center block gasket. Replace gasket, if necessary.



**Step 5**

Turn the assembly over and remove the pilot spool sleeve from the center section.



**Step 6**

Using an O-ring pick, gently remove the O-ring from the opposite side of the dimpled end of the pilot spool.

## Disassembly / Reassembly



### Step 7

Gently remove the pilot spool from the sleeve and inspect for nicks, wear or damage. Replace the pilot spool assembly or sleeve O-rings, if necessary.

During reassembly, never insert the dimpled end of the pilot spool first. This will damage the single urethane O-ring bypassing it over the ports in the pilot sleeve.



**NOTE:** Do not remove seals from the assembly. Seals are not sold separately.



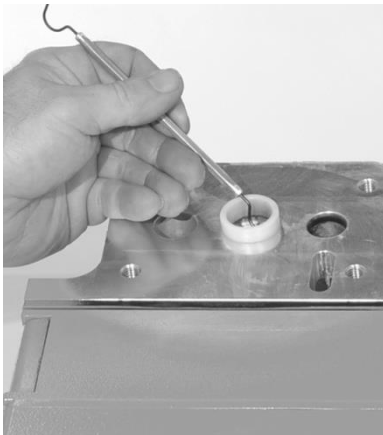
### Step 8

Remove the modulator spool from the center section. Check for wear to the spool or O-rings and replace, if necessary.



### Step 9

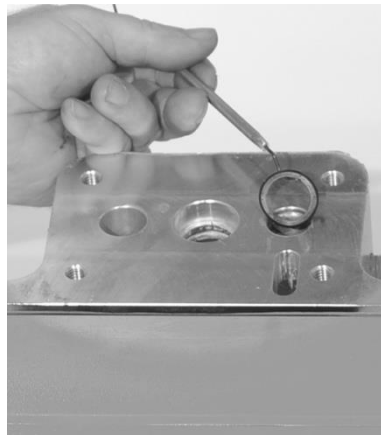
Repeat steps 3 and 4.



### Step 10

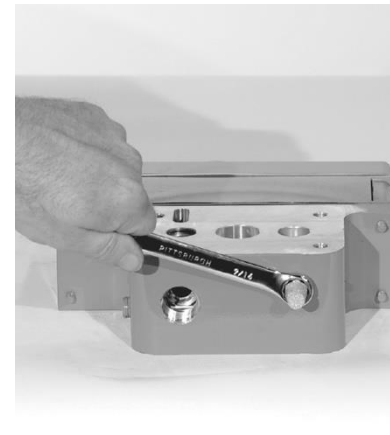
Using an O-ring pick, remove the two (2) shaft bushings from the center block. Inspect and replace, if necessary.

Using an O-ring pick, gently remove the two (2) Glyd rings from the center block. Inspect and replace if necessary.



### Step 11

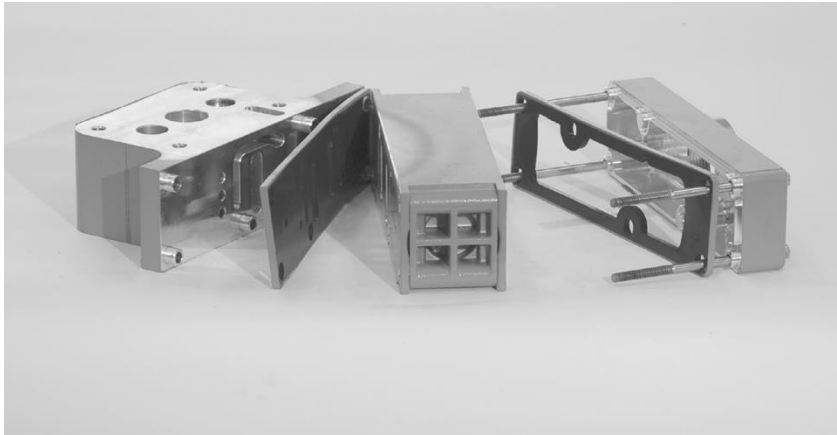
Using an O-ring pick, remove the two (2) seals from the modulator spoolbore. Inspect and replace, if necessary.



### Step 12

Remove the pilot exhaust muffler and inspect for damage or contamination. Replace, if necessary.

## Disassembly / Reassembly



### Step 13

Loosen and remove the four (4) air valve bolts from the center section assembly.  
Lift the muffer plate and muffer plate gasket away from the center block. Inspect for wear and replace, if necessary.  
Lift the air valve assembly and remove the air valve gasket. Inspect the gasket and replace, if necessary.

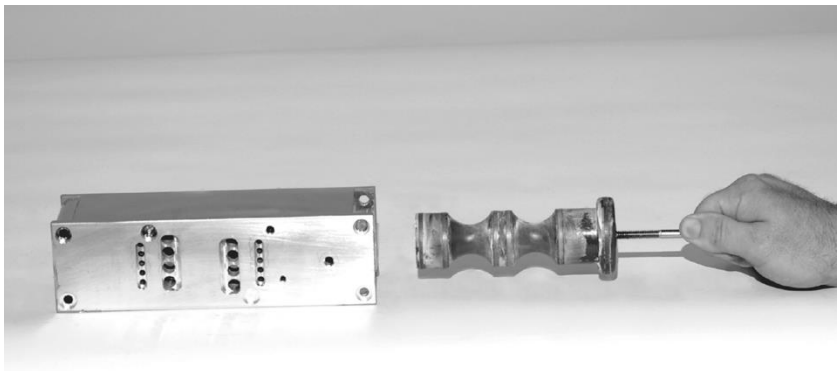


### Step 14

Remove the air valve end cap to expose the air valve spool by lifting up on the end cap.  
Inspect the O-ring on the end cap using an O-ring pick. Replace the O-ring(s), if necessary.



**NOTE:** The Pro-Flo SHIFT air valve incorporates an end cap at both ends of the air valve.



### Step 15

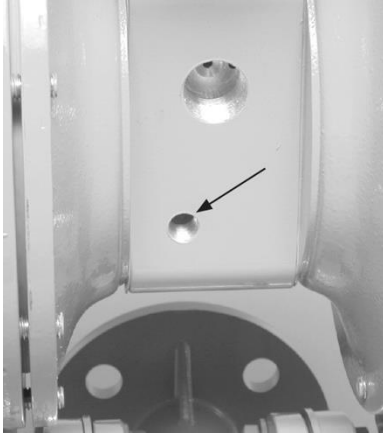
Remove the air valve spool from the air valve body by threading one air valve bolt into the end of the air valve spool and gently sliding the spool out of the air valve body.  
Inspect seals for signs of wear and replace the entire air valve assembly, if necessary.  
Re-insert the spool immediately into the air valve body after inspection because the seals expand and cannot be reinserted after a length of time.



**NOTE:** Do not remove seals from the assembly. Seals are not sold separately.

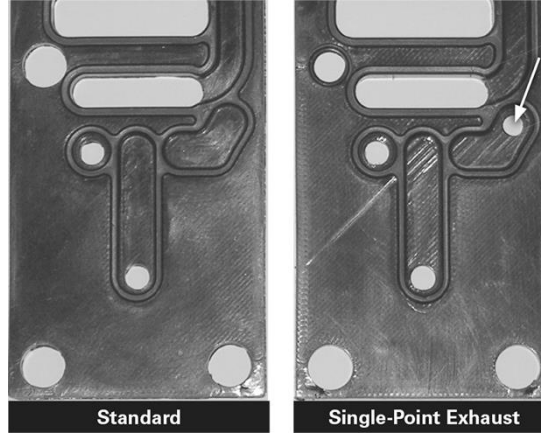
## Disassembly / Reassembly

### Single-Point Exhaust



#### Step 1

Remove the pilot exhaust muffler in the pilot bleed port located at the front of the center block. Install 1/4" NPT pipe plug (00-7010-08) into the bleed port.



#### Step 2

**Optional:** Install a single-point exhaust gasket (04-2639-52). The single-point air valve gasket can be purchased as a spare part or included with the purchase of a new Pro-Flo SHIFT pump.

### Reassembly Hints & Tips

Upon performing applicable maintenance to the air distribution system, the pump can now be reassembled. Please refer to the disassembly instructions beginning on page 14 for photos and parts placement.

To reassemble the pump, follow the disassembly instructions in reverse order. The air distribution system needs to be assembled first (beginning on page 17), then the diaphragms and finally the wetted path. The applicable torque specifications are on this page.

The following tips will assist in the assembly process:

- Lubricate the air valve bore, center section shaft and pilot spool bore with NLGI grade 2 white EP bearing grease or equivalent.
- Clean the inside of the center section shaft bore to ensure no damage is done to new shaft seals.
- A small amount of NLGI grade 2 white EP bearing grease can be applied to the muffler and air valve gaskets to lubricate gaskets during assembly.

- Make sure that the exhaust port on the muffler plate is centered between the two exhaust ports on the center section.
- Stainless bolts should be lubed to reduce the possibility of seizing during tightening.

#### PRO-FLO® SHIFT MAXIMUM TORQUE SPECIFICATIONS

Description of Part	Torque
Air Valve (Aluminum, Stainless Steel)	13.6 N•m (120 in-lb)
Air Valve (Polypropylene)	5.1 N•m (45 in-lb)
Air Chamber/Center Block	27.1 N•m (20 ft-lb)
Outer Pistons, Rubber & PTFE, Excluding Stainless-Steel Inner Pistons	108 N•m (80 ft-lb)
Outer Pistons, Rubber & PTFE, Stainless-Steel Inner Pistons	119 N•m (88 ft-lb)
Small Clamp Bands	6.6 N•m (58 in-lb)
Large Clamp Bands	47.5 N•m (35 ft-lb)



## Disassembly / Reassembly

### Shaft Seal Installation

#### Pre-Installation

After all of the old seals have been removed, the inside of the bushing should be cleaned to ensure no debris is left that may cause premature damage to the new seals.

#### Installation

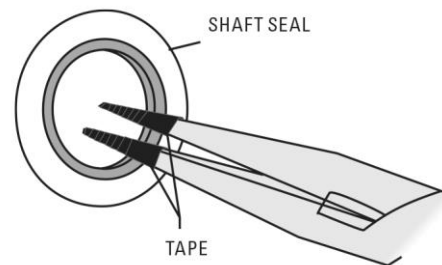
1. To prevent damaging the inside surface of the new seal, wrap electrical tape around each leg of the needle-nose pliers. (Heat shrink tubing may also be used.)
2. With a new seal in hand, place the two legs of the needle-nose pliers inside the seal ring. (See Figure A.)
3. Open the pliers as wide as the seal diameter will allow, then with two fingers pull down on the top portion of the seal to form a kidney bean shape. (See Figure B.)
4. Lightly clamp the pliers together to hold the seal into the kidney shape. Be sure to pull the seal into as tight of a kidney shape as possible. This will allow the seal to travel down the bushing bore with greater ease.
5. With the seal clamped in the pliers, insert the seal into the bushing bore and position the bottom of the seal into the correct groove. When the bottom of the seal is seated in the groove, release the clamp pressure on the pliers. This will allow the seal to partially snap back to its original shape.
6. After removing the pliers you will notice a slight bump in the seal shape. Before the seal can be resized properly, the bump in the seal should be removed as much as possible. This can be done with either a Phillips screwdriver or your finger. With the side of the screwdriver or your finger, apply light pressure to the peak of the bump. This pressure will cause the bump to be eliminated almost completely.
7. Lubricate the edge of the shaft with NLGI grade 2 white EP bearing grease.
8. Slowly insert the center shaft with a rotating motion. This will complete the resizing of the seal.
9. Repeat these steps for the remaining seals.

#### Tools

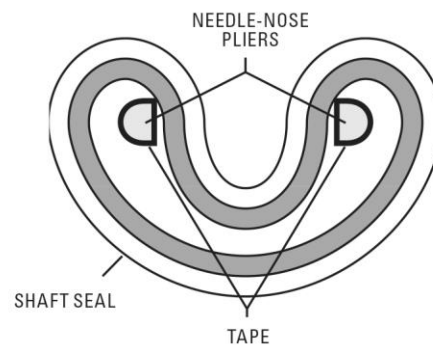
The following tools can be used to aid in the installation of the new seals:

- Needle-Nose Pliers
- Phillips Screwdriver
- Electrical Tape

**Figure A**



**Figure B**

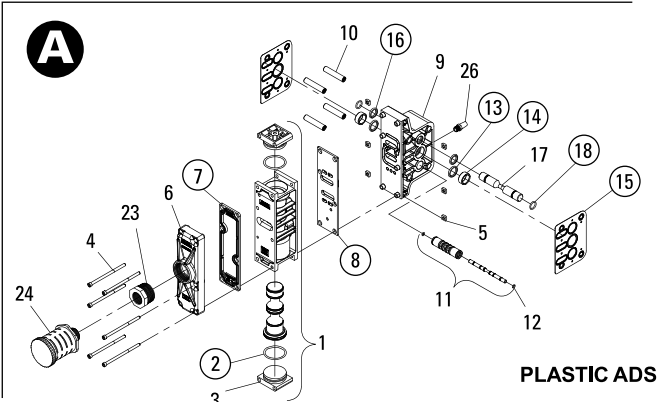
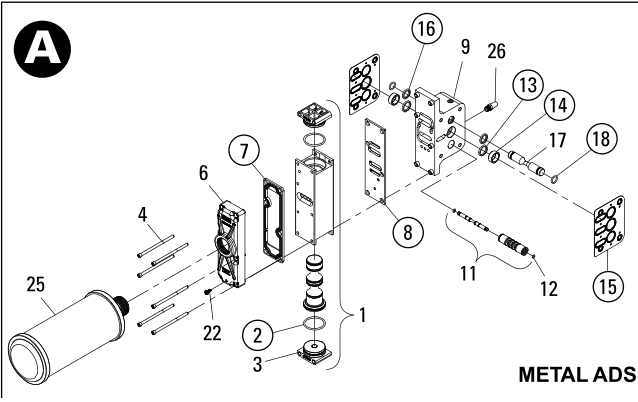
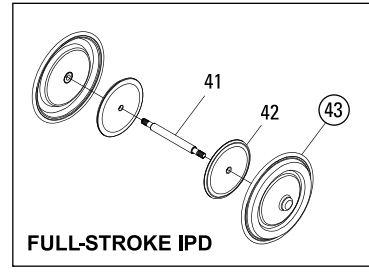
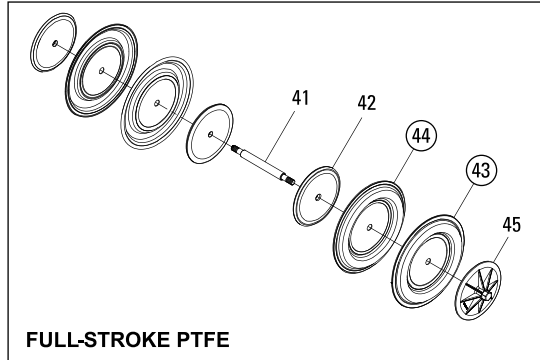
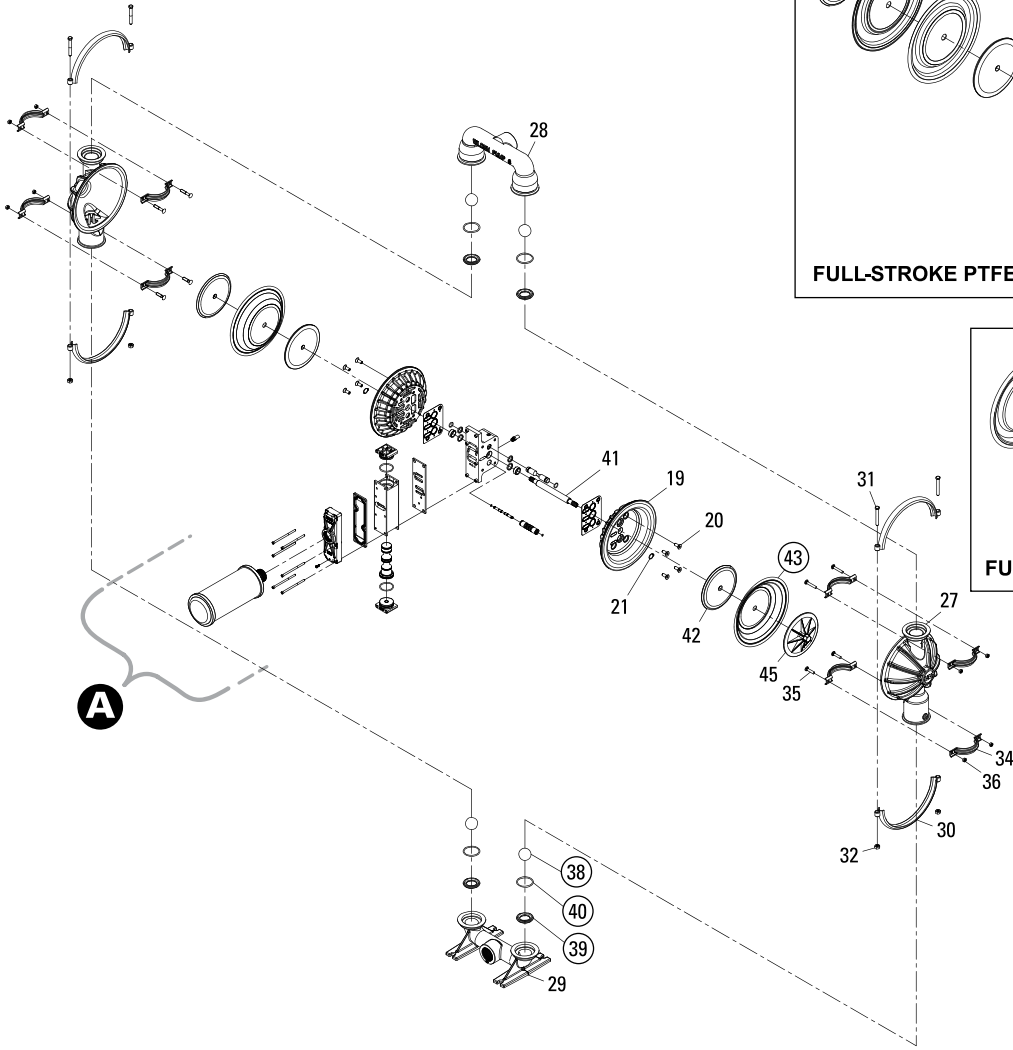


**Section 8**

**EXPLODED VIEW AND PARTS LISTING**

**PS8 METAL**

**EXPLODED VIEW**



ALL CIRCLED PART IDENTIFIERS ARE INCLUDED IN REPAIR KITS



# Exploded View and Parts List

Item	Description	Qty	XPS8/AAAA/ P/N	XPS8/WAAAA/ P/N	XPS8/SSAAA/ P/N	XPS8/SSAAA/ /0070 P/N	XPS8/SSSS/ P/N	PS8/SSPP/ P/N	XPS8/SSSS/ .../0070 P/N	PS8/SSPP/ .../0070 P/N
<b>Air Distribution Components</b>										
1	Air Valve Assembly, Pro-Flo® SHIFT <sup>1</sup>	1	04-2039-01	04-2039-01	04-2039-01	04-2039-01	04-2039-03	04-2039-20	04-2039-03	04-2039-20
2	O-Ring, End Cap (-225, Ø1.859" x Ø.139")	2	04-2390-52-700	04-2390-52-700	04-2390-52-700	04-2390-52-700	04-2390-52-700	04-2390-52-700	04-2390-52-700	04-2390-52-700
3	End Cap	2	04-2340-01	04-2340-01	04-2340-01	04-2340-01	04-2340-03	04-2330-20-700	04-2340-03	04-2330-20-700
4	Screw, SHC, Air Valve (1/4"-20 x 4-1/2")	4					01-6000-03		01-6000-03	
	Screw, SHC, Air Valve (1/4"-20 x 4-1/2")	6	01-6000-03	01-6000-03	01-6000-03	01-6000-03		01-6000-03		01-6000-03
5	Nut, Square (1/4"-20)	6						00-6505-03		00-6505-03
6	Muffler Plate, Pro-Flo® SHIFT	1	04-3189-01	04-3189-01	04-3189-01	04-3189-01	04-3189-03	04-3189-20	04-3189-03	04-3189-20
7	Gasket, Muffler Plate, Pro-Flo® SHIFT	1	04-3509-52	04-3509-52	04-3509-52	04-3509-52	04-3509-52	04-3509-52	04-3509-52	04-3509-52
8	Gasket, Air Valve, Pro-Flo® SHIFT	1	04-2639-52	04-2639-52	04-2639-52	04-2639-52	04-2639-52	04-2639-52	04-2639-52	04-2639-52
9	Center Block Assembly, Pro-Flo® SHIFT <sup>2,3</sup>	1	04-3129-01	04-3129-01	04-3129-01	04-3129-01	04-3129-03	04-3129-20	04-3129-03	04-3129-20
10	Sleeve, Threaded, Center Block	4						04-7710-08		04-7710-08
11	Pilot Sleeve Assembly	1	04-3880-99	04-3880-99	04-3880-99	04-3880-99	04-3880-99	04-3880-99	04-3880-99	04-3880-99
12	O-Ring, Pilot Spool Retaining (-009, Ø.208" x Ø.070")	2	04-2650-49-700	04-2650-49-700	04-2650-49-700	04-2650-49-700	04-2650-49-700	04-2650-49-700	04-2650-49-700	04-2650-49-700
13	Seal, Shaft	2	08-3210-55-225	08-3210-55-225	08-3210-55-225	08-3210-55-225	08-3210-55-225	08-3210-55-225	08-3210-55-225	08-3210-55-225
14	Bushing, Shaft	2	08-3306-13	08-3306-13	08-3306-13	08-3306-13	08-3306-13	08-3306-13	08-3306-13	08-3306-13
15	Gasket, Center Block Pro-Flo® SHIFT	2	04-3529-56	04-3529-56	04-3529-56	04-3529-56	04-3529-56	04-3529-56	04-3529-56	04-3529-56
16	O-Ring, (-210, Ø.734" x Ø.139")	2	04-3209-49	04-3209-49	04-3209-49	04-3209-49	04-3209-49	04-3209-49	04-3209-49	04-3209-49
17	Air Control Spool	1	04-3859-03	04-3859-03	04-3859-03	04-3859-03	04-3859-03	04-3859-03	04-3859-03	04-3859-03
18	O-ring, Air Control Spool Retaining (-114, Ø.612" x Ø.103")	2	04-3879-50	04-3879-50	04-3879-50	04-3879-50	04-3879-50	04-3879-50	04-3879-50	04-3879-50
19	Air Chamber, Pro-Flo V™	2	08-3660-01	08-3660-01	08-3660-01	08-3660-01	08-3660-03	08-3660-03	08-3660-03	08-3660-03
20	Screw, HSFHS (3/8"-16 x 1")	8	71-6250-08	71-6250-08	71-6250-08	71-6250-08	71-6250-03	71-6250-03	71-6250-03	71-6250-03
21	Retaining Ring	2	04-3890-03	04-3890-03	04-3890-03	04-3890-03	04-3890-03	04-3890-03	04-3890-03	04-3890-03
22	Grounding Screw, (10-32 x 1/2") Self Tapping	1	04-6345-08	04-6345-08	04-6345-08	04-6345-08	04-6345-08		04-6345-08	
23	Bushing, Reducer 1-1/2" MNPT to 1" FNPT	1						04-6959-17		04-6959-17
24	Muffler 1" MNPT	1						15-3514-99		15-3514-99
25	Muffler 1-1/2" MNPT	1	04-3518-99R	04-3518-99R	04-3518-99R	04-3518-99R	04-3513-99		04-3513-99	
26	Muffler 1/4" MNPT	1	04-3240-07	04-3240-07	04-3240-07	04-3240-07	04-3240-07	04-3240-07	04-3240-07	04-3240-07
<b>Wetted Path Components</b>										
27	Liquid Chamber	2	08-5000-01	08-5000-02	08-5000-03	08-5000-03P	08-5000-03	08-5000-03	08-5000-03P	08-5000-03P
28	Manifold, Discharge NPT	1	08-5020-01	08-5020-02	08-5020-03		08-5020-03	08-5020-03		
	Manifold, Discharge BSPT	1	08-5020-01-14	08-5020-02-14	08-5020-03-14		08-5020-03-14	08-5020-03-14		
	Manifold, Discharge Tri-Clamp	1				08-5020-03-70P			08-5020-03-70P	08-5020-03-70P
29	Manifold, Footed Inlet NPT	1	08-5080-01	08-5080-02	08-5080-03		08-5080-03	08-5080-03		
	Manifold, Footed Inlet BSPT	1	08-5080-01-14	08-5080-02-14	08-5080-03-14		08-5080-03-14	08-5080-03-14		
	Manifold, Footed Inlet Tri-Clamp	1				08-5080-03-70P			08-5080-03-70P	08-5080-03-70P
30	Large Clamp Band Assembly	2	08-7300-08	08-7300-08	08-7300-03	08-7300-03	08-7300-03	08-7300-03	08-7300-03	08-7300-03
31	Screw, HHC Large (3/8"-16 x 3")	4	08-6120-08	08-6120-08	08-6120-03	08-6120-03	08-6120-03	08-6120-03	08-6120-03	08-6120-03
32	Large Hex Nut (3/8"-16)	4	08-6450-08	08-6450-08	08-6450-03	08-6671-10	08-6450-03	08-6450-03	08-6671-10	08-6671-10
33	Washer, Brass Flat (Ø.392" x Ø.875" x .063") (not shown)	4				08-6720-07-70			08-6720-07-70	08-6720-07-70
34	Small Clamp Band Assembly	4	08-7100-08	08-7100-08	08-7100-03	08-7100-03	08-7100-03	08-7100-03	08-7100-03	08-7100-03
35	Screw, HHC Small (5/16"-18 x 1-1/2")	8	08-6050-08	08-6050-08	08-6050-03	08-6050-03	08-6050-03	08-6050-03	08-6050-03	08-6050-03
36	Small Hex Nut (5/16"-18)	8	04-6420-08	04-6420-08	08-6400-03	08-6661-10	08-6400-03	08-6400-03	08-6661-10	08-6661-10
37	Washer, Brass Flat (Ø.340" x Ø.750" x .063") (not shown)	8				08-6700-07-70			08-6700-07-70	08-6700-07-70
<b>Gaskets/Valve Balls/Valve Seats/Valve O-Rings</b>										
38	Ball, Valve	4	*	*	*	*	*	*	*	*
39	Seat, Valve	4	*	*	*	08-1121-03P	*	*	08-1121-03P	08-1121-03P
40	O-Ring, Valve Seat, PTFE-Fitted (-334, Ø2.600 x Ø.210)	4	08-1200-55	08-1200-55	08-1200-55	08-1200-55	08-1200-55	08-1200-55	08-1200-55	08-1200-55
<b>Full-Stroke Rubber/TPE/PTFE Components</b>										
41	Shaft (Rubber)	1	08-3810-09	08-3810-09	08-3810-09	08-3810-09	08-3810-09	08-3810-09	08-3810-09	08-3810-09
	Shaft (EZ TPE/PTFE)	1	08-3812-03	08-3812-03	08-3812-03	08-3812-03	08-3812-03	08-3812-03	08-3812-03	08-3812-03
42	Piston, Inner	2	08-3700-01	08-3700-01	08-3700-01	08-3700-01	08-3700-03	08-3700-03	08-3700-03	08-3700-03
	Diaphragm, Primary	2	*	*	*	*	*	*	*	*
43	Diaphragm, IPD Primary	2	*	*	*	*	*	*	*	*
44	Diaphragm, Backup	2	*	*	*	*	*	*	*	*
45	Piston, Outer	2	08-4550-01	08-4550-02	08-4550-03	08-4550-03P	08-4550-03	08-4550-03	08-4550-03P	08-4550-03P

\*See elastomer chart - Section 9

<sup>1</sup> Air Valve Assembly includes items 2 and 3.

<sup>2</sup> Metal Center Block Assembly includes items 13, 14 and 16.

<sup>3</sup> Plastic Center Block Assembly includes items 10, 13, 14 and 16.

All boldface items are primary wear parts.

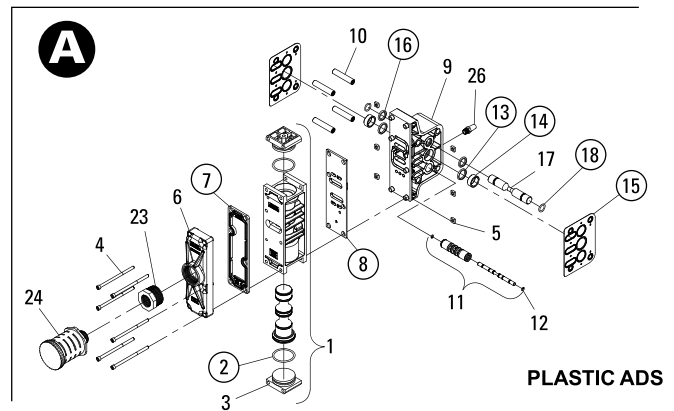
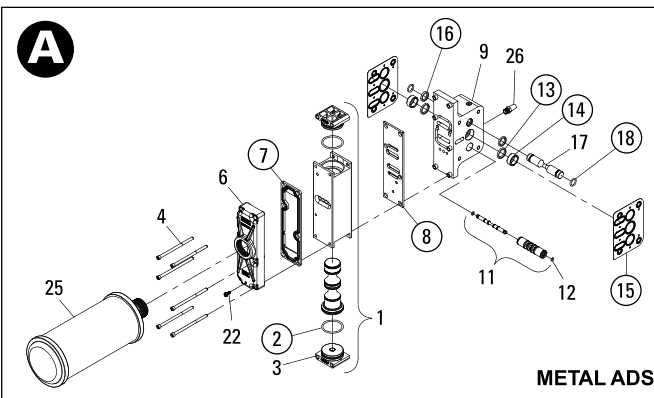
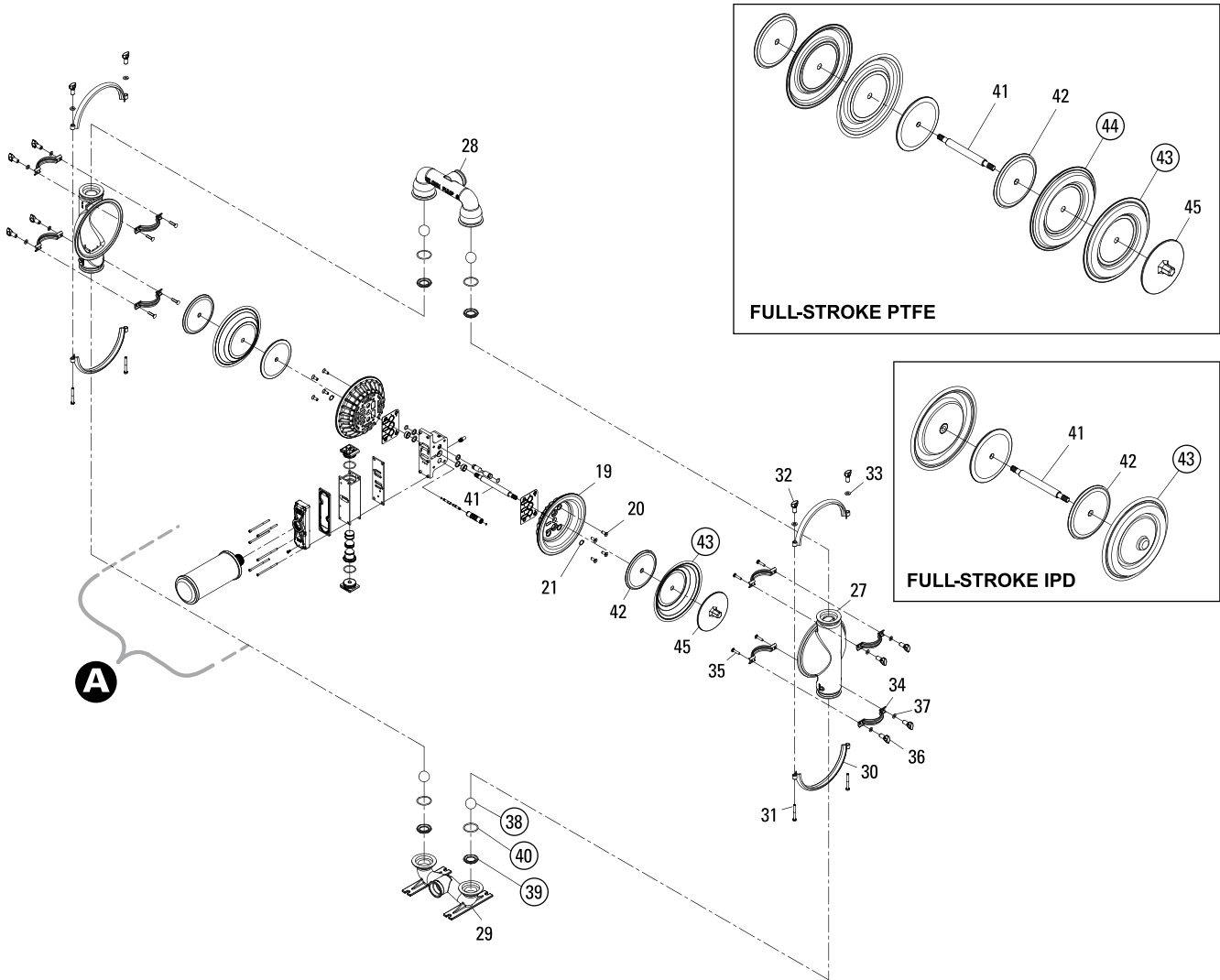
**Section 8**

**EXPLODED VIEW AND PARTS LISTING**

**PS8 METAL SANIFLO™**

1935/2004/EC

**EXPLODED VIEW**



ALL CIRCLED PART IDENTIFIERS ARE INCLUDED IN REPAIR KITS

LW0091 REV. E

## Exploded View and Parts List

Item	Description	Qty.	XPS8/SSAAA.../0070E 1935/2004/EC P/N	XPS8/SSSSS.../0070E 1935/2004/EC P/N	PS8/SSSPP.../0070E 1935/2004/EC P/N
<b>Air Distribution Components</b>					
1	Air Valve Assembly, Pro-Flo® SHIFT <sup>1</sup>	1	04-2039-01	04-2039-03	04-2039-20
2	O-Ring, End Cap (-225, Ø1.859" x Ø.139")	2	04-2390-52-700	04-2390-52-700	04-2390-52-700
3	End Cap	2	04-2340-01	04-2340-03	04-2330-20-700
4	Screw, SHC, Air Valve (1/4"-20 x 4-1/2")	4		01-6000-03	
	Screw, SHC, Air Valve (1/4"-20 x 4-1/2")	6	01-6000-03		01-6000-03
5	Nut, Square (1/4"-20)	6			00-6505-03
6	Muffler Plate, Pro-Flo® SHIFT	1	04-3189-01	04-3189-03	04-3189-20
7	Gasket, Muffler Plate, Pro-Flo® SHIFT	1	04-3509-52	04-3509-52	04-3509-52
8	Gasket, Air Valve, Pro-Flo® SHIFT	1	04-2639-52	04-2639-52	04-2639-52
9	Center Block Assembly, Pro-Flo® SHIFT <sup>2</sup>	1	04-3129-01	04-3129-03	04-3129-20
10	Sleeve, Threaded, Center Block	4			04-7710-08
11	Pilot Sleeve Assembly	1	04-3880-99	04-3880-99	04-3880-99
12	O-Ring, Pilot Spool Retaining (-009, Ø.208" x Ø.070")	2	04-2650-49-700	04-2650-49-700	04-2650-49-700
13	Seal, Shaft	2	08-3210-55-225	08-3210-55-225	08-3210-55-225
14	Bushing, Shaft	2	08-3306-13	08-3306-13	08-3306-13
15	Gasket, Center Block Pro-Flo® SHIFT	2	04-3529-56	04-3529-56	04-3529-56
16	O-Ring, (-210, Ø.734" x Ø.139")	2	04-3209-49	04-3209-49	04-3209-49
17	Air Control Spool	1	04-3859-03	04-3859-03	04-3859-03
18	O-ring, Air Control Spool Retaining (-114, Ø.612" x Ø.103")	2	04-3879-50	04-3879-50	04-3879-50
19	Air Chamber, Pro-Flo V™	2	08-3660-01	08-3660-03	08-3660-03
20	Screw, HSFHS (3/8"-16 x 1")	8	71-6250-08	71-6250-03	71-6250-03
21	Retaining Ring	2	04-3890-03	04-3890-03	04-3890-03
22	Grounding Screw, (10-32 x 1/2") Self Tapping	1	04-6345-08	04-6345-08	
23	Bushing, Reducer, 1-1/2" MNPT to 1" FNPT	1			04-6959-17
24	Muffler 1" MNPT	1			15-3514-99
25	Muffler 1-1/2" MNPT	1	04-3518-99R	04-3513-99	
26	Muffler 1/4" MNPT	1	04-3240-07	04-3240-07	04-3240-07
<b>Wetted Path Components</b>					
27	Liquid Chamber	2	08-5000-03P	08-5000-03P	08-5000-03P
28	Manifold, Discharge Tri-Clamp	1	08-5020-03-70P	08-5020-03-70P	08-5020-03-70P
29	Manifold, Footed Inlet Tri-Clamp	1	08-5080-03-70P	08-5080-03-70P	08-5080-03-70P
30	Large Clamp Band Assembly	2	08-7300-03-70	08-7300-03-70	08-7300-03-70
31	Screw, HHC Large (3/8"-16 x 3")	4	08-6120-03	08-6120-03	08-6120-03
32	Wing Nut, Large Clamp Band (3/8"-16)	4	08-6671-10	08-6671-10	08-6671-10
33	Washer, Brass Flat (Ø.392" x Ø.875" x .063")	4	08-6720-07-70	08-6720-07-70	08-6720-07-70
34	Small Clamp Band Assembly	4	08-7100-03-70	08-7100-03-70	08-7100-03-70
35	RHSN Bolt, Small Clamp Band (5/16"-18 x 1-1/2")	8	08-6050-03	08-6050-03	08-6050-03
36	Wing Nut, Small Clamp Band (5/16"-18)	8	08-6661-10	08-6661-10	08-6661-10
37	Washer, Brass Flat (Ø.340" x Ø.750" x .063")	8	08-6700-07-70	08-6700-07-70	08-6700-07-70
<b>Valve Balls/Valve Seats/Valve O-Rings</b>					
38	Ball, Valve, Pkg 4	1	*	*	*
39	Seat, Valve, Pkg 4	1	*	*	*
	Seat, Valve, Stainless Steel	4	08-1121-03E	08-1121-03E	08-1121-03E
40	O-Ring, Valve Seat, PTFE-Fitted (-334, Ø2.600 x Ø.210), Pkg 4	1	08-1200-55E	08-1200-55E	08-1200-55E
<b>Full-Stroke Rubber/TPE/PTFE Components</b>					
41	Shaft (Rubber)	1	08-3810-09	08-3810-09	08-3810-09
	Shaft (EZ TPE/PTFE)	1	08-3812-03	08-3812-03	08-3812-03
42	Piston, Inner	2	08-3700-01	08-3700-03	08-3700-03
43	Diaphragm, Primary, Pkg 2	1	*	*	*
	Diaphragm, IPD Primary, Pkg 2	1	*	*	*
44	Diaphragm, Backup, Pkg 2	1	*	*	*
45	Piston, Outer	2	08-4550-03P	08-4550-03P	08-4550-03P

\* See elastomer chart - Section 9

<sup>1</sup> Air Valve Assembly includes items 2 and 3.

<sup>2</sup> Metal Center Block Assembly includes items 13, 14 and 16.

<sup>3</sup> Plastic Center Block Assembly includes items 10, 13, 14 and 16.

**All boldface items are primary wear parts.**

## Section 9

### Elastomer Options

#### PS8 Metal

Material	Diaphragms (2)	Full-Stroke Diaphragms (2)	Full-Stroke Backup Diaphragms (2)	EZ-Install Diaphragms (2)	Full-Stroke IPD Diaphragms (2)	Valve Balls (4)	Valve Seats (4)	Valve Seat O-Rings (4)
Polyurethane				08-1022-50		08-1080-50	08-1120-50	
Neoprene	08-1010-51					08-1080-51	08-1120-51	
Buna-N®	08-1010-52					08-1080-52	08-1120-52	
FDA Buna-N® <sup>2</sup>	08-1010-69							
Conductive Buna-N®	08-1010-86							
Geolas®				08-1022-15				
EPDM	08-1010-54					08-1080-54	08-1120-54	
FDA EPDM <sup>2</sup>	08-1010-74							
FKM	08-1010-53					08-1080-53	08-1120-53	
PTFE <sup>2</sup>		08-1040-55				08-1080-55		08-1200-55 <sup>1</sup>
Saniflex™ <sup>2</sup>			08-1065-56	08-1022-56	08-1031-56	08-1080-56	08-1120-56	
FDA Wil-Flex™ <sup>2</sup>			08-1065-57	08-1022-57	08-1031-57	08-1080-57	08-1120-57	
Wil-Flex™				08-1022-58	08-1031-58	08-1080-58	08-1120-58	
Aluminum							08-1121-01	
Stainless Steel							08-1121-03	
Alloy C							08-1121-04	
Mild Steel							08-1121-08	

<sup>1</sup>Used in conjunction with metallic valve seat.

LW0043 Rev. L

<sup>2</sup>Elastomer option for use in Saniflo™ FDA pumps (Specialty Code 0070).

#### PS8 Metal Saniflo™ 1935/2004/EC

Material	Diaphragms (2)	Full-Stroke Diaphragms (2)	Full-Stroke Backup Diaphragms (2)	Ez-Install Diaphragms (2)	Full-Stroke IPD Diaphragms (2)	Valve Balls (4)	Valve Seats (4)	Valve Seat O-Rings (4)
FDA Buna-N®	08-1010-69E							
FDA EPDM	08-1010-74E							
PTFE		08-1040-55E				08-1080-55E		08-1200-55E
Saniflex™			08-1065-56E	08-1022-56E	08-1031-56E	08-1080-56E	08-1120-56E	

LW0080 Rev. J

LW0141 REV. D

# WILDEN®

## DECLARATION OF CONFORMITY



PSG California LLC, 22069 Van Buren Street, Grand Terrace, CA 92313-5607 USA, certifies as the manufacturer that the Air-Operated Double Diaphragm pumps listed below comply with the following European Community Regulations:

- (EC) 1935/2004 for Food Contact Materials
- (EC) 2023/2006 Good Manufacturing Practice
- (EU) 10/2011 on plastic materials and articles intended to come in contact with food

- **25 mm (1") Saniflo Hygienic™ HS Metal Pump:**  
(XPS,PS)2/(SS,SZ)(SSS,NNN)/(FBS,FES,FSL,FSS,LEL,TEU,TSS,TSU)/(FB,FE,FS,TF)/(FB,FE,FV,TF)/(0770-0789)E
- **38 mm – 76 mm (1-1/2"-3") Pro-Flo X Saniflo Hygienic™ HS Metal Pump:**  
(PX,XPX)(4,8,15)/(SS,SZ)(SSS,NNN)(BNU,EPU,FBS,FES,FSL,FSS,LEL,TEU,TSS,TSU,ZSS)/(FB,FE,FS,FV,SF,TF,TM)/(FB,FE,TF)/(0770-0789)E
- **38 mm – 76 mm (1-1/2"-3") Pro-Flo Shift Saniflo Hygienic™ HS Metal Pump:**  
(PS,XPS)(4,8,15)/(SS,SZ)(SSS,NNN)/(FBS,FES,FSL,FSS,LEL,TSS,ZSS)/(FB,FE,FS,FV,SF,TF,TM)/(FB,FE,TF)/(0770-0789)E
- **76 mm (3") Saniflo HS High Pressure Advanced Metal Pump**  
H1500/(SS,SZ)1/(FSL,TSS)/(TF,TM)/(FE,FV,TF)0770E
- **13 mm (1/2") Pro-Flo & Pro-Flo X™ Saniflo FDA Metal Pump Models:**  
(P,PX,XPX)1/(SS,SZ)(AAA,GGG,JJJ,LLL,PPP)/(FSL,FSS,TEU,TSU)/(FS,TF)/(FS,TF)/(0067,0070,0120)E
- **25 mm (1") Pro-Flo Saniflo FDA Metal Pump Models:**  
P2/(SS,SZ)(LLL,PPP)/(FBS,FES,FSL,FSS,LEL,TEU,TSS,TSU)/(FS,TF)/(FS,TF)2070E
- **38 mm (1-1/2") Pro-Flo & Pro-Flo X™ Saniflo FDA Metal Pump Models:**  
(P,PX,XPX)4/(SS,SZ)(AAA,LLL,NNN,SSS)(BNU,EPU,FBS,FES,FSL,FSS,TEU,TSS,TSU)/(FS,TF)/(FS,STF)/(0067,0070,0075,0120)E
- **51 mm (2") Pro-Flo & Pro-Flo X™ Saniflo FDA Metal Pump Models:**  
(P,PX,XPX)8/(SS,SZ)(AAA,PPP,NNN,SSS)(BNU,EPU,FBS,FES,FSS,TEU,TSU,TSS)/(FS,TF)/(FS,STF)/(0070,0075,0120)E
- **76 mm 3" Pro-Flo X™ Saniflo FDA Metal Pump Models:**  
(PX,XPX)15/(SS,SZ)(AAA,NNN,SSS)(BNU,EPU,FSL,FSS,TEU,TSU,TSS)/(FS,TF)/(FS,STF)/(0070,0075,0120)E
- **38 mm 1-1/2" Pro-Flo Shift™ Saniflo FDA Metal Pump Models:**  
XPS4/(SS,SZ)(AAA,NNN,SSS)/(FBS,FES,FSL,FSS,TSS,ZSS)/(FS,TF)/(FS,STF)/(0067,0070,0775,0120)E
- **51 mm 2" Pro-Flo Shift™ Saniflo FDA Metal Pump Models:**  
XPS8/(SS,SZ)(AAA,NNN,SSS)/(FBS,FES,FSL,FSS,TSS,ZSS)/(FS,TF)/(FS,STF)/(0070,0075,0120)E
- **76 mm 3" Pro-Flo Shift™ Saniflo FDA Metal Pump Models:**  
XPS15/(SS,SZ)(AAA,NNN,SSS)/(FSL,FSS,TSS,ZSS)/(FS,TF)/(FS,STF)/(0070,0120,0341)

Materials used in equipment that are intended to contact food belong to the groups of materials listed in Annex 1 (EC) 1935/2004 (List of groups of materials and articles which may be covered by specific measures)

- 5) Rubbers                      8) Metal and Alloy                      10) Plastics

Compliance is subject to material and equipment storage, handling and usage recommended by Wilden in the engineering operation and maintenance manual and supplemental technical publications.

This declaration is based on the following information:

- Statements of raw material from suppliers
- Total Migration Analysis per (EU) 10/2011

Wilden will make available to the competent authorities appropriate documentation to demonstrate compliance

Approved By:

Chris Distaso  
Director of Engineering  
Date: October 10, 2019



PSG  
22069 Van Buren Street  
Grand Terrace, CA 92313-5651 USA  
P: +1 (909) 422-1730 • F: +1 (909) 783-3440  
psgdover.com



Where Innovation Flows